



A range of optional extras enables filters to be tailored to customers' precise requirements.

Accessories & Spare Parts

OV-OW

Differential Pressure Indicator

As filter baskets become clogged with debris, the pressure drop increases. In order to maintain efficient filtration and line pressure it is important that baskets are cleaned regularly.

The Differential Pressure Indicator is designed to monitor basket conditions and provide visual warning that cleaning is required.

Available as an optional extra on all single, dual and self cleaning filters, the indicator is mounted directly on to the filter body and indicates the differential pressure across each basket.

Main Features

- Easy to read
- Compact Design
- No pipework to become clogged
- Positive seal separates clean and dirty liquids
- Remote operation via electrical signal available if required
- Purpose designed for Airpel Filters

Specification

- Anodised aluminium casing and nitrile diaphragm for water and oil applications
- Stainless steel casing, stainless steel internals and viton diaphragm for other liquids
- Indicator preset at 10 psi. Other spring ratings available on request
- Pointer operated by internal magnet avoiding leakage through seals

Optional Extras with Filters

Heating Jacket — For constant temperature processes to aid flow of viscous liquids.

100% Shut Off On Dual Filter Change Over — This can be achieved by use of a special seal within the change over cock mechanism and eliminates leakage between chambers during cleaning.

Magnetic Inserts — Suspended from the cover to capture metallic particles. Magnets can be nylon coated if required.

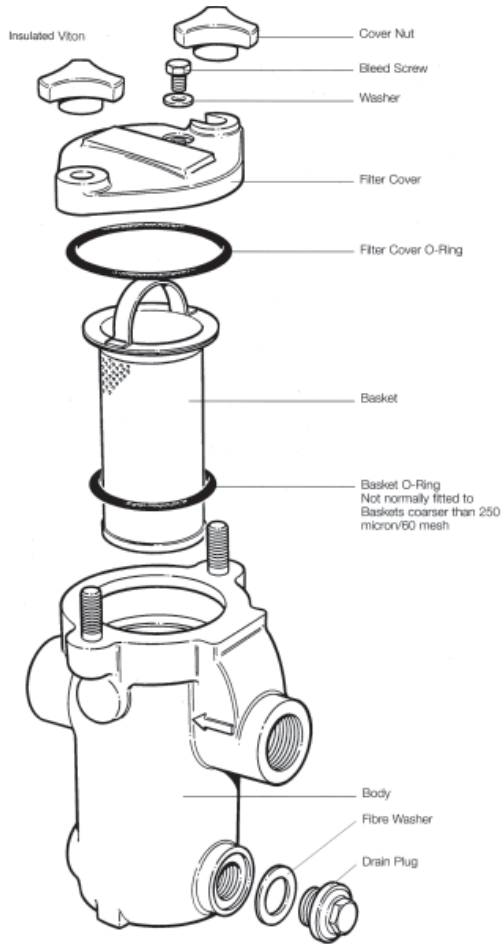
Pressure Equalising Valves (Dual Filter Only) — Are fitted to sizes 150 and 200mm as standard but can be fitted to other sizes on request.

O-Rings & Closures — To suit chemical or low/high temperature applications.

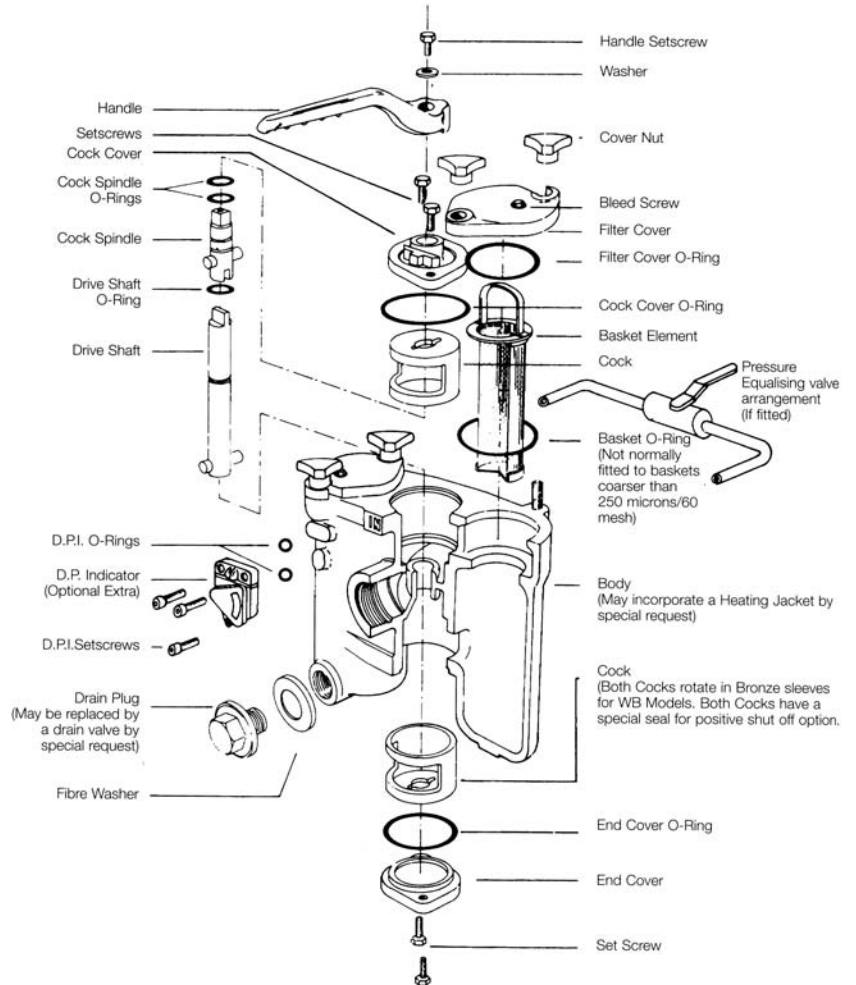
Custom-designed Elements & Baskets — Made according to process needs.



**SPARES IDENTIFICATION SINGLE FILTER
— MODEL OV**



**SPARES IDENTIFICATION DUAL FILTER
— MODEL OW**



SPX®

FLOW CONTROL



**Radco
Strainers**

your source for **Airpel**
FILTRATION
AN SPX BRAND
www.radcostrainer.com

Radco Strainers
P.O. Box 23515
Charlotte, NC (USA) 28227
Telephone: 704.545.8061
Fax: 704.545.8345

E-mail: info@radcostrainer.com



SPX reserves the right to incorporate our latest design and material changes without notice or obligation. Design features, materials of construction and dimensional data, as described in this bulletin, are provided for your information only and should not be relied upon unless confirmed in writing. Certified drawings are available upon request.