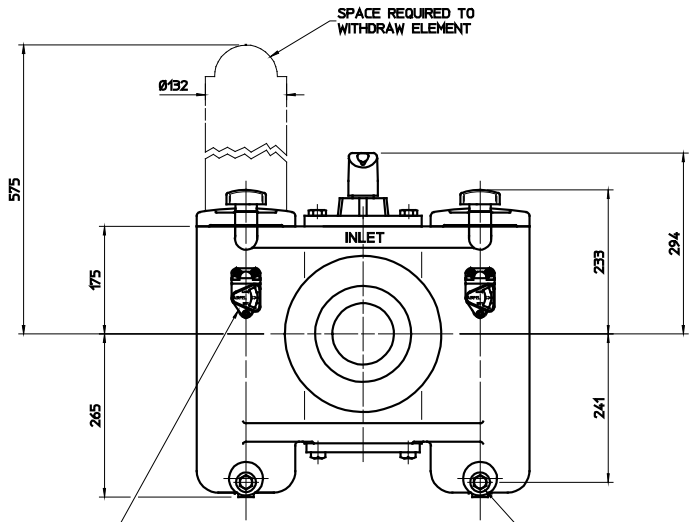
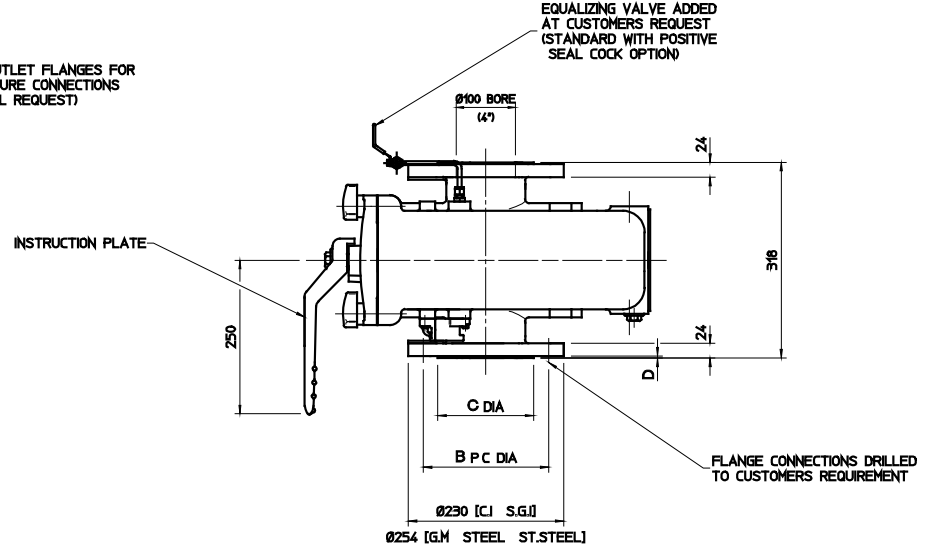
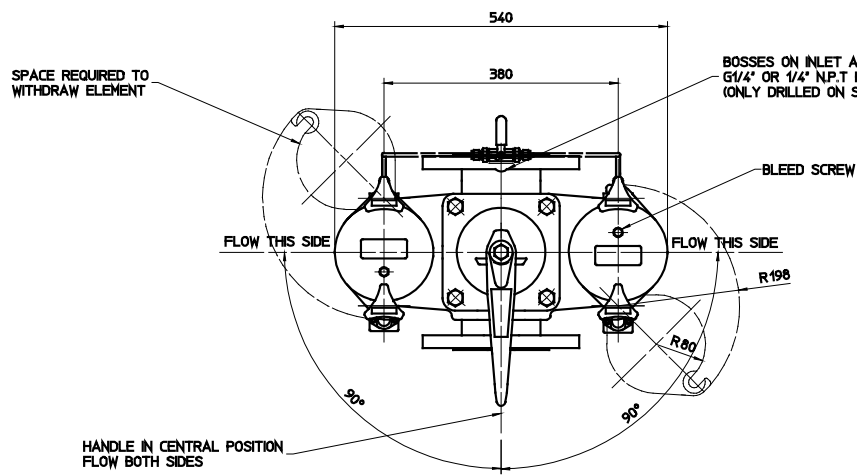


PROJECTION



↑  
FLOW

FLANGE TYPE	FLANGE O/DIA	B	C	D	No. OF HOLES	DIA OF HOLES	INLET	OUTLET
							BOSS TAPPED	BOSS TAPPED
FLANGE DETAILS								

WEIGHT OF FILTER	—	125kg (275lb) [CAST IRON]
SINGLE ELEMENT SURFACE AREA	—	STANDARD ELEMENT 964cm <sup>2</sup> (150in <sup>2</sup> )
MAX WORKING PRESSURE	—	17.24 bar (250lb/in <sup>2</sup> ) [C.I. S.G.I.]
	—	23 bar (334lb/in <sup>2</sup> ) [G.M. STEEL ST. STEEL] (Subject To Flange Limitation)
TEST PRESSURE	—	34.47 bar (500lb/in <sup>2</sup> )

ALL DIMENSIONS NOMINAL UNLESS OTHERWISE SPECIFIED

DATE	No.	REV No.	MODIFICATION	APPROVED	MATERIAL	DATE	REF.	SIZE	ORIG. No.	REV
17/02/96	8		REDRAWN ME 10	CHECKED	FERRI					
16/04/92	2		DRAWING UP-DATED TO Mk 3	DRAWN	B.J.M.	03/05/80	100mm (4") ØW/FL Mk3			
20/07/82	1		DRAWING UP-DATED	ORIGINAL SCALE						
SPECIAL NOTES— 1. Remove All Burrs & Sharp Edges. 2. Unless Otherwise Specified, All Dimensions Are in Millimetres. 3. Do Not scale. 4. If in Doubt, Ask.								Radco Strainers, Inc. Charlotte, NC GENERAL ARRANGEMENT OF FLANGED FILTER		
								C	12745	3