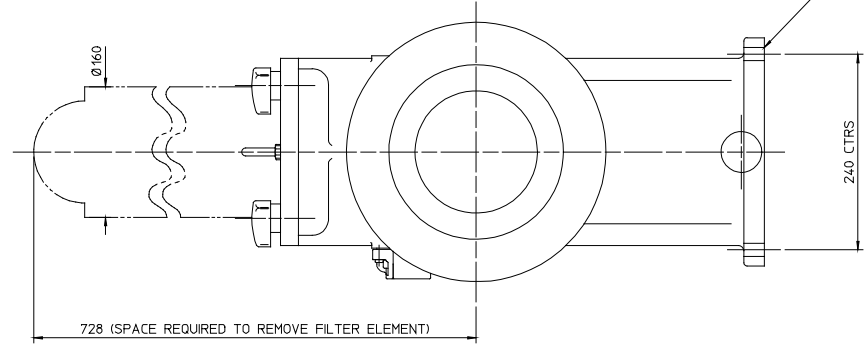
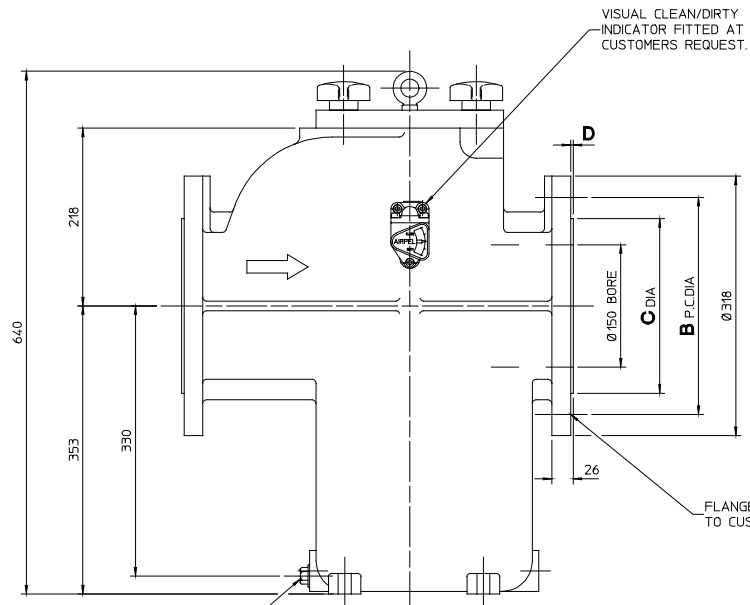


BOSSE ON INLET OR OUTLET FLANGES FOR G1/4 OR 1/4" N.P.T. PRESSURE CONNECTIONS. (ONLY DRILLED ON SPECIAL REQUEST)



BLEED SCREW



VISUAL CLEAN/DIRTY INDICATOR FITTED AT CUSTOMERS REQUEST.

FLANGE CONNECTIONS DRILLED TO CUSTOMER REQUIREMENTS

G1/2 OR 1/2" N.P.T. DRAIN CAN BE POSITIONED ON OUTLET SIDE AT CUSTOMERS REQUEST.

FLANGE TYPE	FLANGE DETAILS				NO. OF HOLES	DIA. OF HOLES	INLET BOSS TAPPED	OUTLET BOSS TAPPED
	FLANGE O/DIA	B	C	D				

WEIGHT OF FILTER	—	107kg (236lb) [CAST IRON]
SINGLE ELEMENT SURFACE AREA	—	STANDARD ELEMENT 1835cm ² (285in ²)
MAX WORKING PRESSURE	—	17.2 bar (250lb/in ²) [C I S.G.] 23 bar (334lb/in ²) [GM STEEL ST. STEEL] (Subject To Flange Limitation)
TEST PRESSURE	—	34.5 bar (500lb/in ²)

ALL DIMENSIONS NOMINAL UNLESS OTHERWISE SPECIFIED

		UNLESS SPECIFIED OTHERWISE TOLERANCES = Ø REG. FLANGE METRIC ± 0.1mm 1 REG. FLANGE METRIC ± 0.05mm 2 REG. FLANGE METRIC ± 0.2mm ANGULAR DIMENSIONS ± 30°		APPROVED	MATERIAL	Radco Strainer, Inc. Charlotte, NC
				CHECKED	FINISH	
01/10/97		REDRAWN ME10		DRAWN	ORIGINAL SCALE	GENERAL ARRANGEMENT
DATE	No.	M/E No.	MODIFICATION	DATE	REF.	
				01/10/97	150mm(6") ØV/FL Mk3	SIZE C
					DRG. No.	12621
					ISS	3